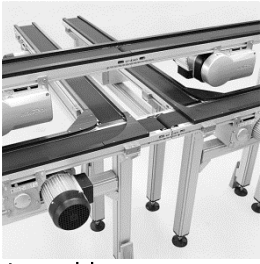


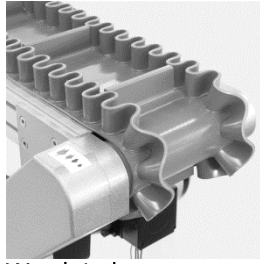
ROLLER CONVEYOR RB40



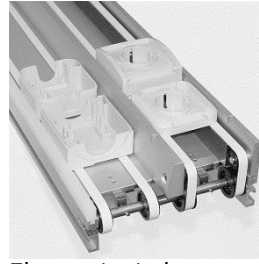
CUSTOMIZED SOLUTIONS



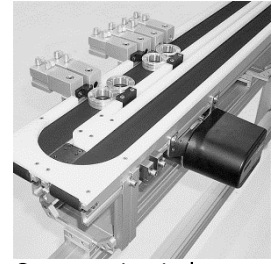
Assembly



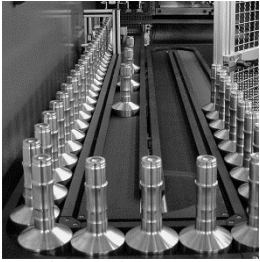
Watch industry



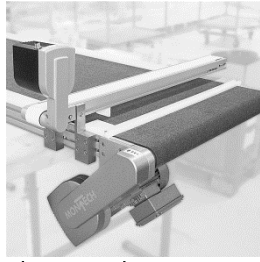
Electronics industry



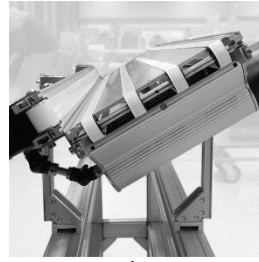
Construction industry



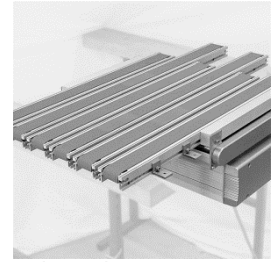
Mechanical engineering



Plastics industry



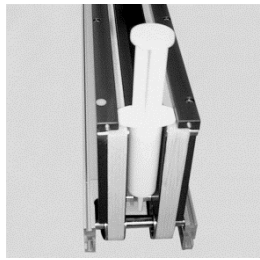
Printing industry



Solar industry



Automotive



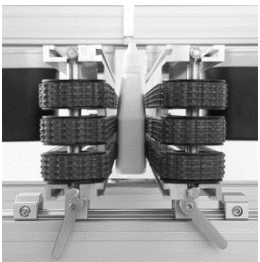
Medical industry



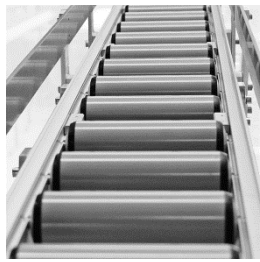
Automotive suppliers



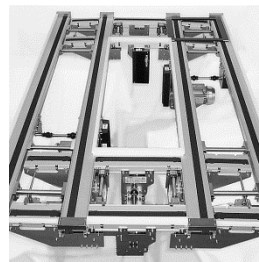
Solar industry



Medical industry



Automotive suppliers



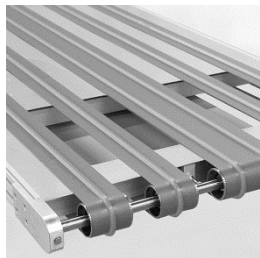
Mechanical engineering



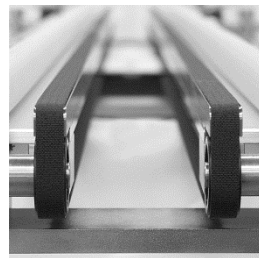
Airport industry



Airport industry



Automotive



Electronics industry



ROLLER CONVEYOR RB40



PRODUCT DESCRIPTION	4
TECHNICAL DATA	5
DIMENSION DRAWINGS	6
COMPONENTS	8
ACCESSORIES	FEHLER! TEXTMARKE NICHT DEFINIERT.
FLOOR STANDS	FEHLER! TEXTMARKE NICHT DEFINIERT.

The **roller conveyor RB40** is used for longitudinal conveying of totes and cartons with stable, continuous running surfaces. With a **load capacity** of up to **150 kg/m**, it can be used for a wide range of applications. The roller conveyor RB40 is a supplement to the conveyor TB40 and therefore geometrically and optically matched to it. The stable base frame is made of clear anodized aluminum profiles, which are connected to each other by a dovetail with clamps. The rollers are made of PVC or steel, depending on the size. The **roller axis distance** can be selected to suit the product; available as standard with **100, 125 or 150 mm**. The length of the roller conveyor can be selected according to the customer's requirements. Thanks to the two T-slot tracks in the side profile, customer-specific attachments can be made very easily. Accessories from the TB40 range such as side guides and floor stands are also compatible. The roller conveyor can also be adapted to a gradient using telescopic floor stands.

The assembly of the accessories can be carried out easily, quickly and without mechanical processing, even later.

The **warranty period** is of **36 months** from the delivery date.

Modifications may be made without notice.

PRODUCT DESCRIPTION ROLLER CONVEYOR RB40



inlet



outlet



outlet with end stop



with lateral guides fixed (plastic)



with lateral guides aluminum



connection for roller conveyors longer than 3 m



lateral guide adjustable, type A



lateral guide adjustable, type B



lateral guide adjustable, type C

The roller conveyor RB40 is a gravity roller conveyor. The own weight of the product together with a slight gradient of the roller conveyor result in the conveying movement. It is used for fast production processes, targeted storage and effortless transport of crates or similar things.

Key data / advantages:

- heavy loads transportable, up to 150 kg/m
- width of the conveyor from 200 to 800 mm
- horizontal alignment or with a slight incline
- Roller axis distance adapted to the product selectable; standard 100, 125 or 150 mm. Others on request.
- Rollers made of PVC; from size 500 made of steel.
- Long conveyors connected in a simple way
- Gradient can also be set very easily with the telescopic floor stands.
- If required, lateral limitation by different versions of lateral guides from our accessories catalogue.
- With or without end stop as required.

TECNICAL DATA ROLLER CONVEYOR RB40

Ambient temperature	+10 bis +40°C	
Relative humidity	<95% (without condensation)	
Air purity	Normal workshop atmosphere	
Sizes	200, 300, 400, 500, 600, 700, 800 mm	
Roller axis distance	100, 125, 150 mm (other dimensions on request)	
Length of the roller conveyor	customized sections with L>3m are connected with corresponding supports minimum 360 mm	
Load	150 kg/m*	
Material		
Basic frame	aluminum, clear anodized surface, (blank cut surfaces)	
rollers	plastic, PVC (size 200 / 300 / 400) galvanised steel (from size 500)	
lateral guides	plastic or aluminum, clear anodized surface (blank cut surfaces)	
end stop	plastic, black	
cover of the lateral profile	plastic, grey	
Warranty	3 years	

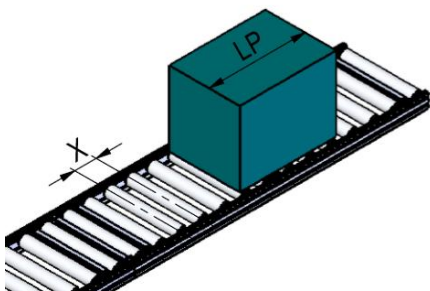
* restrictions see load limit table

Load limit [kg/m]

roller axis distance X [mm]	plastic rollers			steel rollers		
	100	125	150	100	125	150
size A						
200	150	150	150	--	--	--
300	150	150	150	--	--	--
400	150	132	99	--	--	--
500	--	--	--	150	150	150
600	--	--	--	150	150	150
700	--	--	--	150	150	135
800	--	--	--	150	138	115

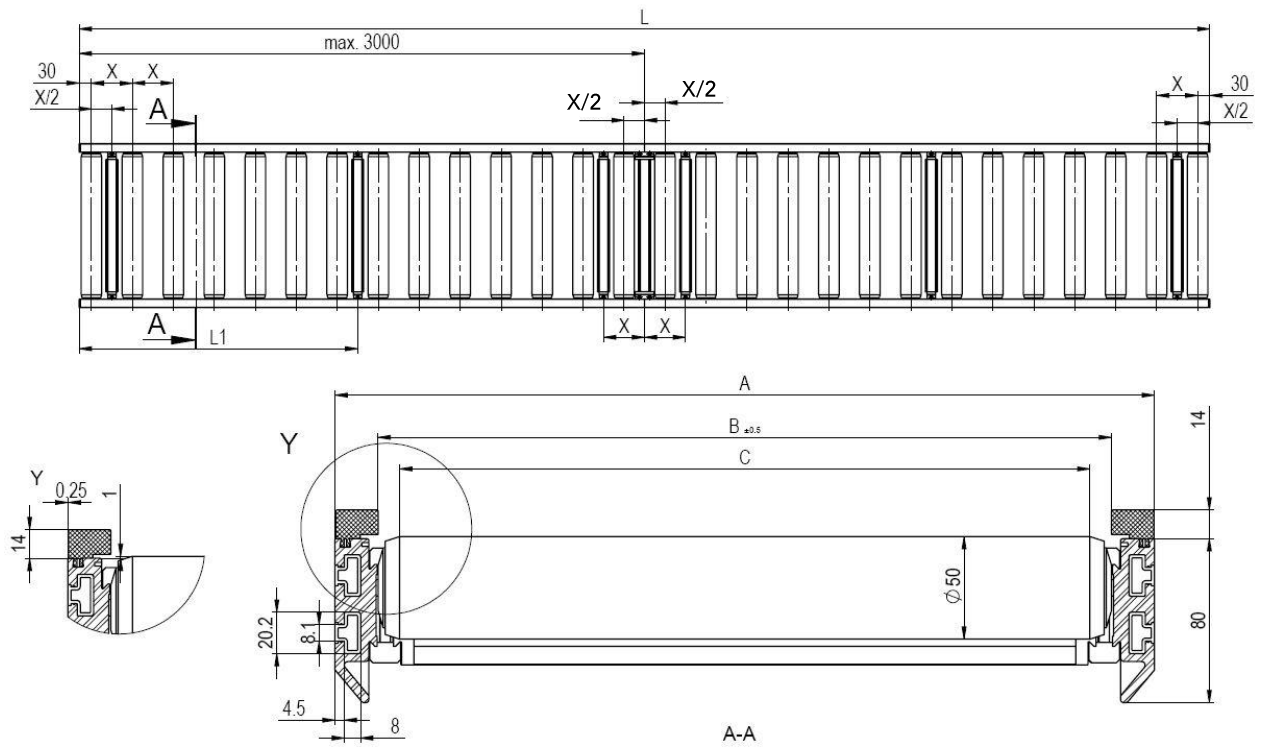
Length of the product LP [mm]

roller axis distance X [mm]	100	125	150
Length of the product LP (recommendation) [mm]	400	500	600
Minimum length of the product LP _{min} [mm]	300	375	450

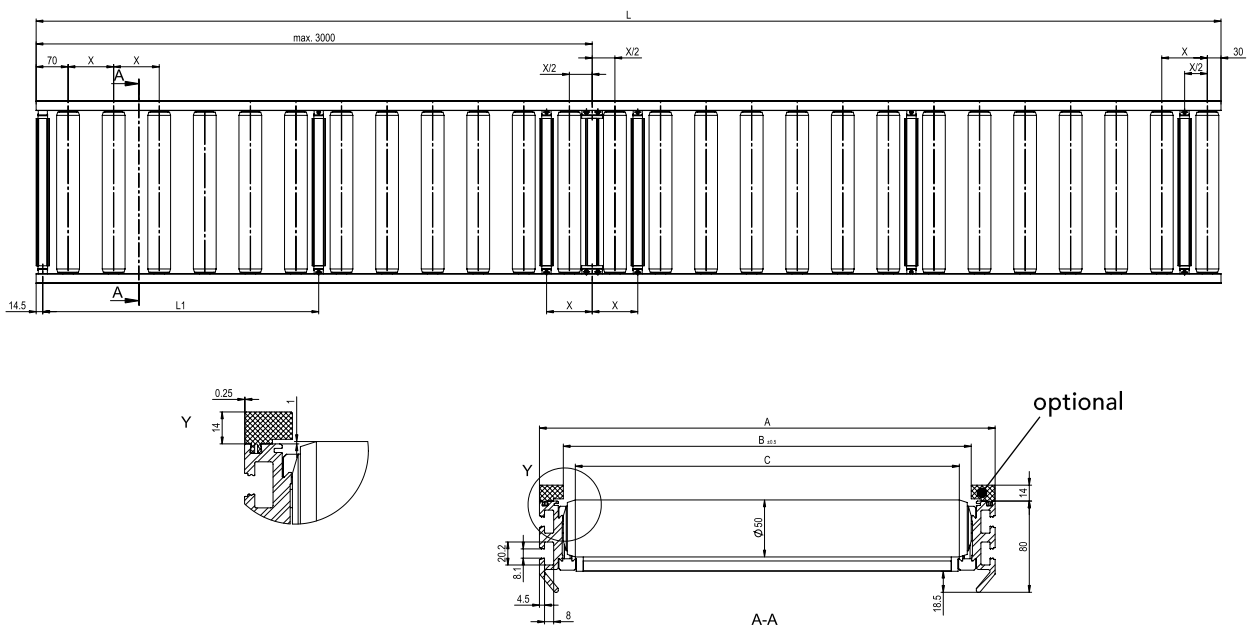


DIMENSION DRAWING ROLLER CONVEYOR RB40

Version without end stop



Version with end stop



- L = length of the roller conveyor
- $L1$ = distance between connecting supports
- X = roller axis distance
- A = size (conveying width)

Type		RB40-200	RB40-300	RB40-400	RB40-500	RB40-600	RB40-700	RB40-800
A	Size/width of conveyor	mm 200	300	400	500	600	700	800
B	Conveying width*	mm 128 - 168	228 - 268	328 - 368	428 - 568	528 - 568	628 - 668	728 - 768
D	width supported	mm 137	237	337	437	537	637	737
L	Length of roller conveyor	mm customized (L > 3m with connector)						
Roller material		PVC	PVC	PVC	galvanised steel	galvanised steel	galvanised steel	galvanised steel

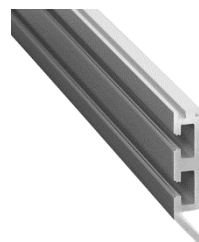
* when using fixed side guides (accessories)

Size A [mm]	roller axis distance X [mm]	Max. distance between connecting supports L1 [mm]
200 – 800	100	800
200 – 800	125/150	750

Minimum length of roller conveyor [mm]					
		roller axis distance X [mm]	100	125	150
	L _{min}	minimum length of roller conveyor [mm]	400	475	550
	L _{min}	minimum length of roller conveyor [mm]	360	435	510

COMPONENTS ROLLER CONVEYOR RB40

Lateral profile TB40/RB40	Ref. No.
Without the machining for mounting the rollers *customized in mm, max. 3000 mm	49405/...*
incl. machining	customized



Connecting profile RB40*	Ref. No.
RB40-200	67000
RB40-300	67030
RB40-400	67031
RB40-500	67032
RB40-600	67033
RB40-700	67034
RB40-800	67035

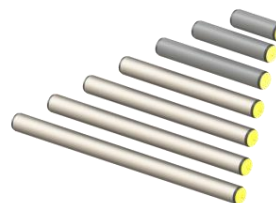
*min. 2 pieces



Connecting profile RB40 (cut point)	Ref. No.
RB40-200	67001
RB40-300	67036
RB40-400	67037
RB40-500	67038
RB40-600	67039
RB40-700	67040
RB40-800	67041



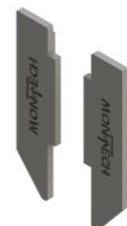
Roller	Ref. No.
RB40-200, plastic	522271
RB40-300, plastic	522272
RB40-400, plastic	522273
RB40-500, galvanized steel	522274
RB40-600, galvanized steel	522275
RB40-700, galvanized steel	522276
RB40-800, galvanized steel	522277



End stop (without connecting profile)	Ref. No.
RB40-200	67002
RB40-300	67050
RB40-400	67051
RB40-500	67052
RB40-600	67053
RB40-700	67054
RB40-800	67055



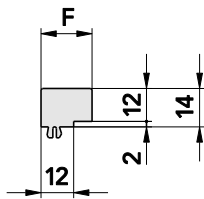
Cover of lateral profile	Ref. No.
Set of 2	67662



ACCESSORIES ROLLER CONVEYOR RB40

Lateral guide fixed L = 2000mm

Ref. No.



	white	black (antistatic)
F = 10.75	28187	28187s
F = 15.75	33652	33652S
F = 20.75	28186	28186S
F = 26.75	32071	32071S
F = 35.75	28188	28188S
F = 43.75	67425	67425S

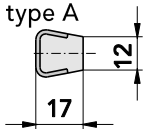
In addition to the standard widths, customized lateral guides are also available.



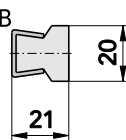
Lateral guide adjustable L = 3000mm

Ref. No.

type A

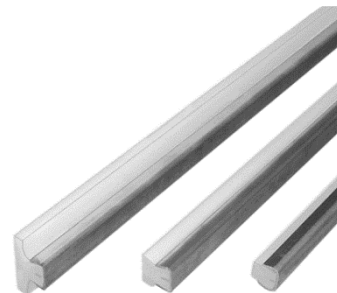
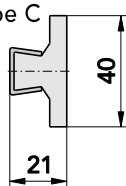


type B



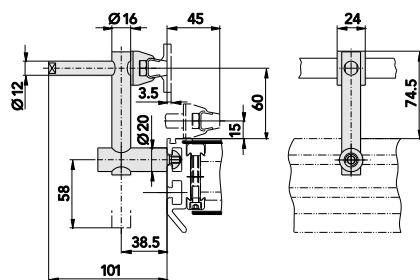
Typ A	504985
Typ B	504986
Typ C	504987

type C



Holder for lateral guide adjustable

Ref. No.

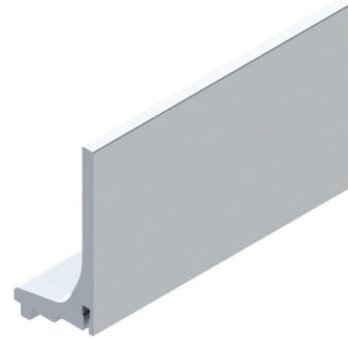
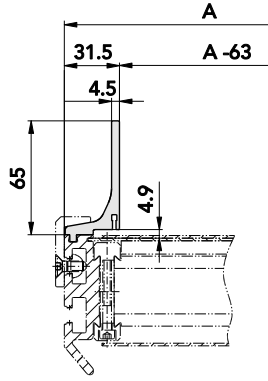


For type A, B and C:
 0-1400mm = 2 holders
 1400-2400mm = 3 holders
 2400-3000mm = 4 holders



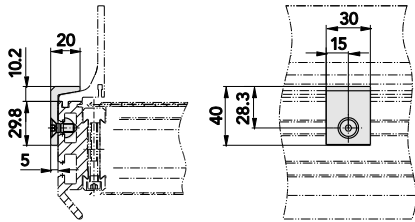
Lateral guide aluminum L = 2000mm

Ref. No.
55106

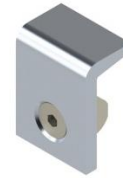


Holder for lateral guide aluminum

Ref. No.
54864

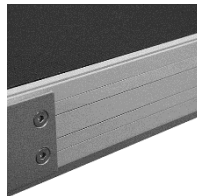
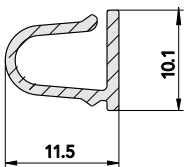


0-1400mm = 2 holders
1400-2000mm = 3 holders



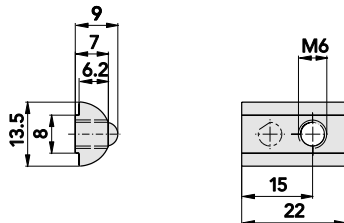
T-slot cover (aluminum)

per meter **Ref. No.**
49505



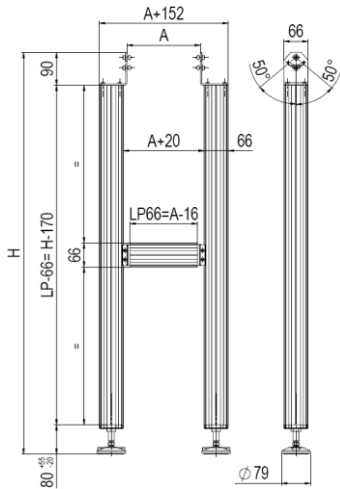
T-nut pivotable M6

Ref. No.
506969



FLOOR STAND TB40

Floor stand width, pivoting +/- 50°



	A [mm]	Ref. No.
TB40-300	300	67074/...*
TB40-400	400	67075/...*
TB40-500	500	67076/...*
TB40-600	600	67077/...*
TB40-700	700	67078/...*
TB40-800	800	67079/...*

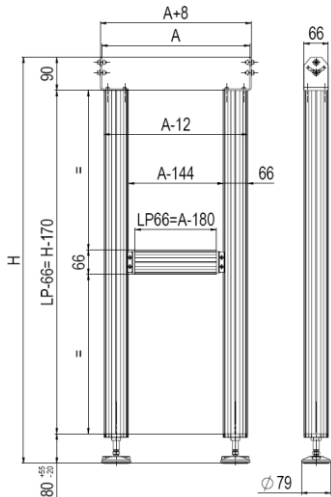
*H customized in mm

working height H = 250-1500mm
(working height H = roller surface)

below 250 and over 1500 mm on request



Floor stand narrow



	A [mm]	Ref. No.
TB40-400	400	67022/...*
TB40-500	500	67080/...*
TB40-600	600	67081/...*
TB40-700	700	67082/...*
TB40-800	800	67083/...*

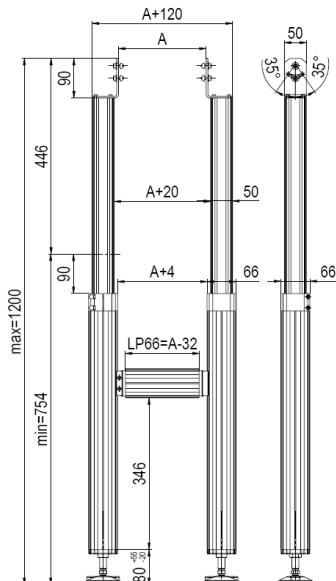
*H customized in mm

working height H = 250-1500mm
(working height H = roller surface)

below 250 and over 1500 mm on request



Floor stand telescopic, pivoting (+/- 35°)



	A [mm]	Ref. No.
TB40-300	300	67068
TB40-400	400	67069
TB40-500	500	67070
TB40-600	600	67071
TB40-700	700	67072
TB40-800	800	67073

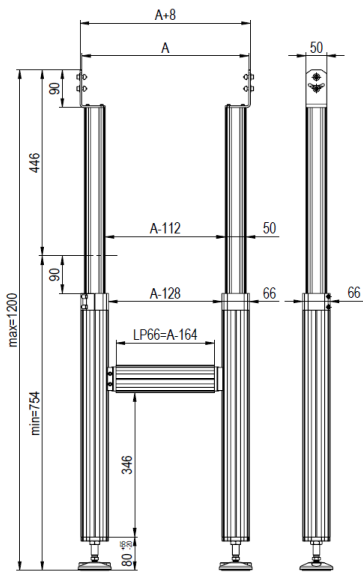
working height H adjustable

H = 754 – 1200 mm
(working height H = roller surface)

below 754 and over 1200 mm on request



Floor stand narrow telescopic



	A [mm]	Ref. No.
TB40-400	400	67359
TB40-500	500	67360
TB40-600	600	67361
TB40-700	700	67362
TB40-800	800	67363

working height adjustable

H = 754 – 1200 mm
(working height H = roller surface)

below 754 and over 1200 mm on request

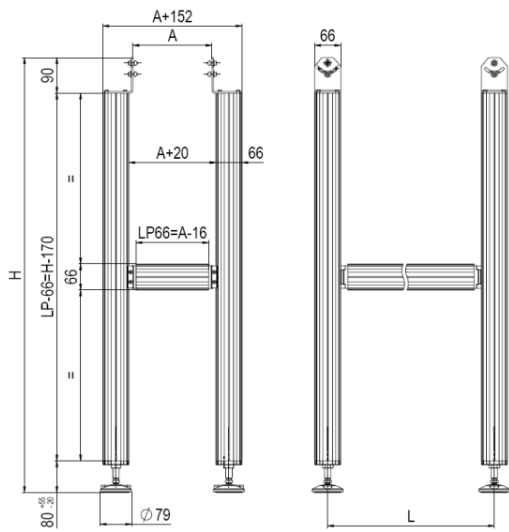


Double floor stand wide

	A [mm]	Ref. No.
TB40-300	300	67137/..../*
TB40-400	400	67138/..../*
TB40-500	500	67139/..../*
TB40-600	600	67140/..../*
TB40-700	700	67141/..../*
TB40-800	800	67142/..../*

*H/L customized in mm

e. g.
A = 300 mm
H = 1200 mm, L = 1500 mm
Ref. No. 67137/1200/1500



Working height H* [mm] (= roller surface)

250-1500
below 250 and over 1500 mm on request

Spacing between stands L* [mm]

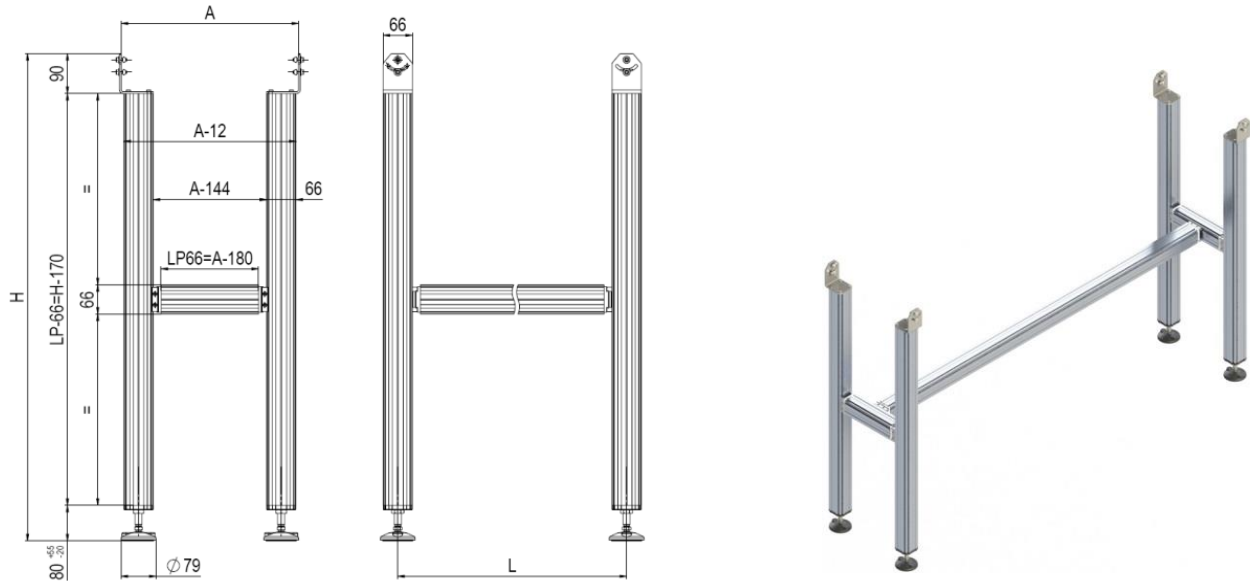
500-2000
below 500 and over 2000 mm on request

Double floor stand narrow

	A [mm]	Ref. No
TB40-400	400	67143/.../...*
TB40-500	500	67144/.../...*
TB40-600	600	67145/.../...*
TB40-700	700	67146/.../...*
TB40-800	800	67147/.../...*

*H/L customized in mm

e.g.
A = 400 mm
H = 1200 mm, L = 1500 mm
Ref. No. 67143/1200/1500



Working height H* [mm] (= roller surface)

250-1500

below 250 and over 1500 mm on request

Spacing between stands L* [mm]

500-2000

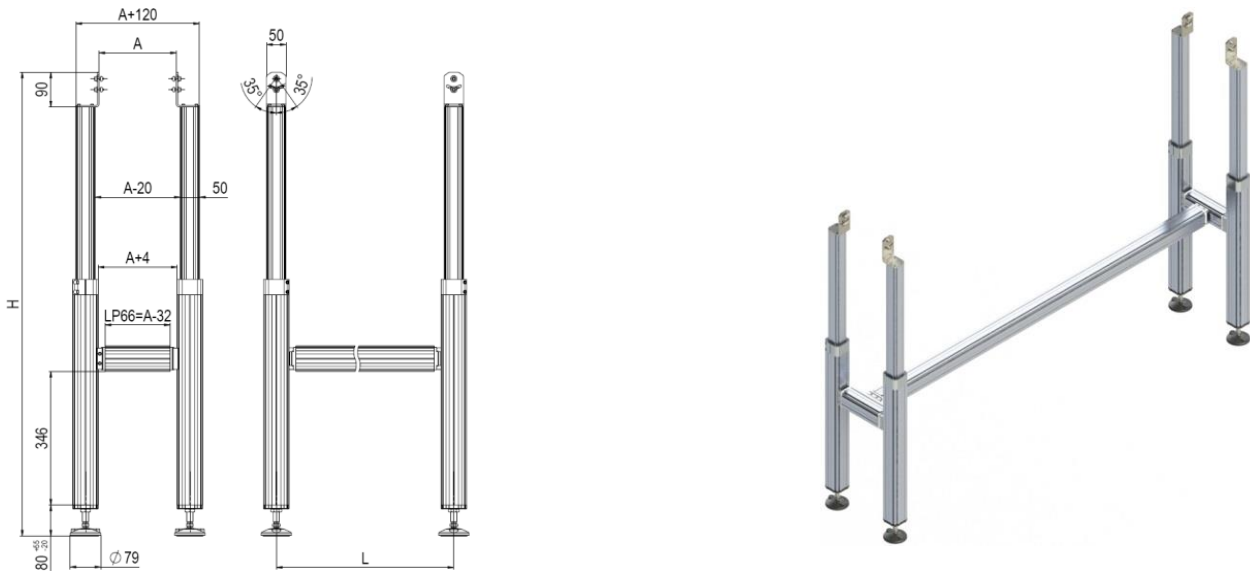
below 500 and over 2000 mm on request

Double floor stand telescopic, pivoting (+/- 35°)

	A [mm]	Ref. No.
TB40-300	300	67149/...*
TB40-400	400	67150/...*
TB40-500	500	67151/...*
TB40-600	600	67152/...*
TB40-700	700	67153/...*
TB40-800	800	67154/...*

*L customized in mm

e.g.
A = 300 mm, L = 1500 mm
Ref. No. 67149/1500



Working height H [mm] (adjustable) (= roller surface)

754-1200

below 754 and over 1200 mm on request

Spacing between stands L* [mm]

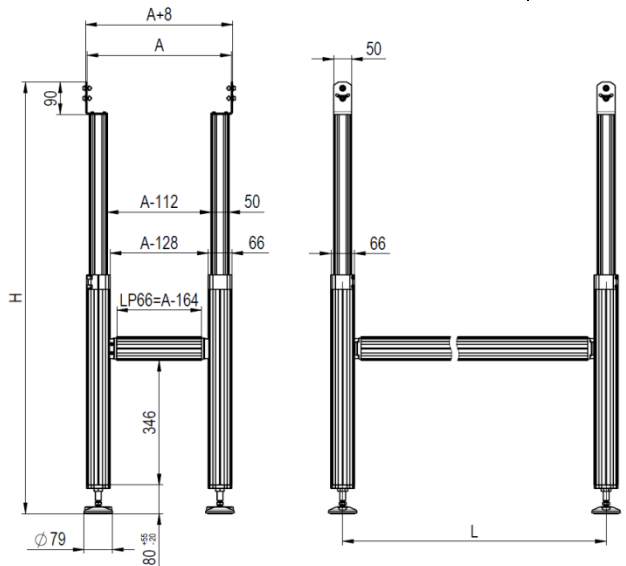
500-2000

below 500 and over 2000 mm on request

Double floor stand narrow, telescopic	A [mm]	Ref. No.
TB40-400	400	67364/...*
TB40-500	500	67365/...*
TB40-600	600	67366/...*
TB40-700	700	67367/...*
TB40-800	800	67368/...*

*L customized in mm

e.g.
A = 400 mm, L = 1500 mm
Ref. No. 67364/1500

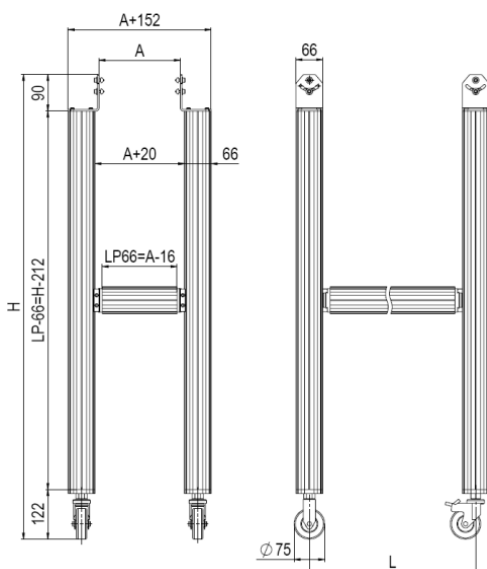


Working height H [mm] (adjustable) (= roller surface)	Spacing between stands L* [mm]
754-1200	500-2000
below 754 and over 1200 mm on request	below 500 and over 2000 mm on request

Double foot stand width, movable	A [mm]	Ref. No.
TB40-300	300	67156/.../...*
TB40-400	400	67157/.../...*
TB40-500	500	67158/.../...*
TB40-600	600	67159/.../...*
TB40-700	700	67160/.../...*
TB40-800	800	67161/.../...*

*H/L customized in mm

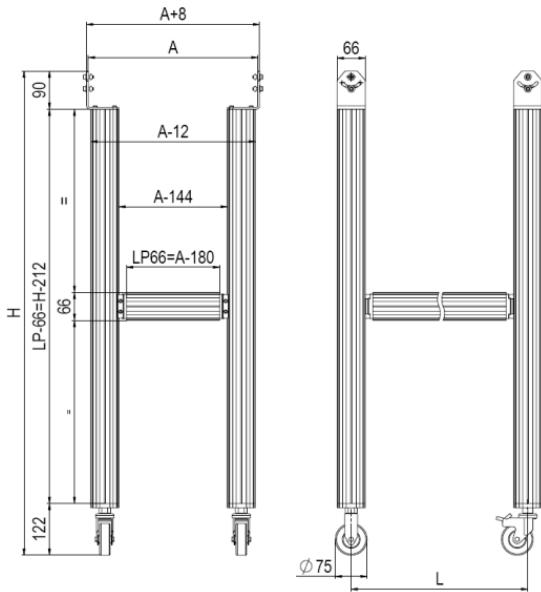
e.g.
A = 300 mm
H = 1200 mm, L = 1500 mm
Ref. No. 67156/1200/1500



Working height H* [mm] (= roller surface)	Spacing between stands L* [mm]
290-1500	500-2000
below 290 and over 1500 mm on request	below 500 and over 2000 mm on request

Double foot stand narrow, movable	A [mm]	Ref. No.
TB40-400	400	67162/.../...*
TB40-500	500	67163/.../...*
TB40-600	600	67164/.../...*
TB40-700	700	67165/.../...*
TB40-800	800	67166/.../...*

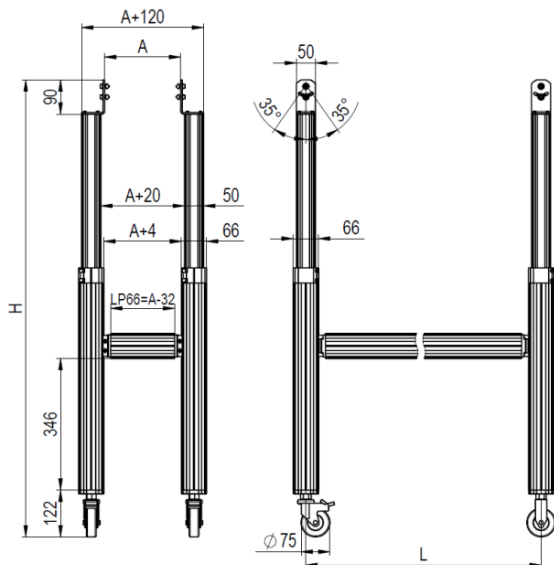
*H/L customized in mm
e.g.
A = 400 mm
H = 1200 mm, L = 1500 mm
Ref. No. 67162/1200/1500



Working height H* [mm] (= roller surface)	Spacing between stands L* [mm]
290-1500	500-2000
below 290 and over 1500 mm on request	below 500 and over 2000 mm on request

Double foot stand telescopic, pivoting (+/- 35°) and movable	A [mm]	Ref. No.
TB40-300	300	67168/...*
TB40-400	400	67169/...*
TB40-500	500	67170/...*
TB40-600	600	67171/...*
TB40-700	700	67172/...*
TB40-800	800	67173/...*

*L customized in mm
e.g.
A = 300 mm, L = 1500 mm
Ref. No. 67168/1500



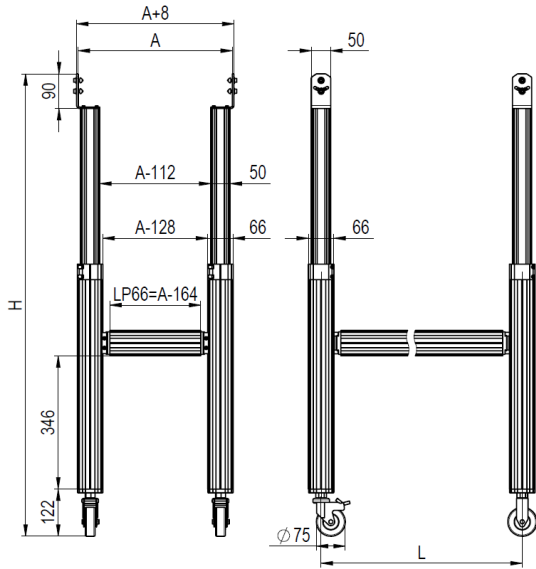
Working height H [mm] (adjustable) (=roller surface)	Spacing between stands L* [mm]
796-1200	500-2000
below 796 and over 1200 mm on request	below 500 and over 2000 mm on request

Double foot stand narrow, telescopic and movable

	A [mm]	Ref. No.
TB40-400	400	67370/...*
TB40-500	500	67371/...*
TB40-600	600	67372/...*
TB40-700	700	67373/...*
TB40-800	800	67374/...*

*L customized in mm

e.g.
A = 400 mm, L = 1500 mm
Ref. No. 67370/1500



Working height H [mm] (adjustable) (= roller surface)	Spacing between stands L* [mm]
796-1200	500-2000
below 796 and over 1200 mm on request	below 500 and over 2000 mm on request

Table stand QS

Ref. No.
49594 (pair)

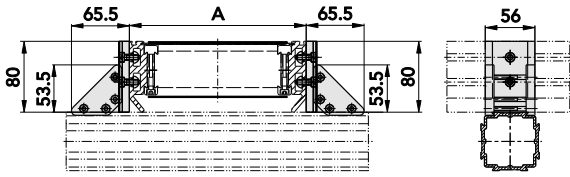
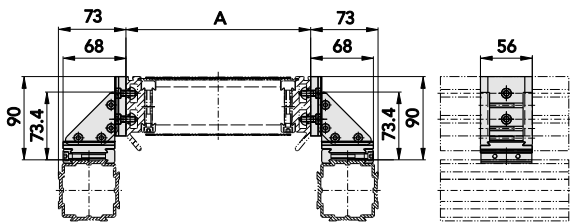


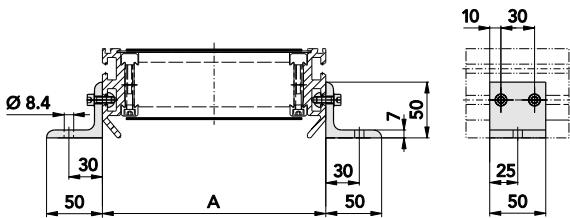
Table stand QS 90°

Ref. No.
49595 (pair)



Fixing bracket

Ref. No.
49596 (pair)





MONTECH AG
Gewerbestrasse 12
CH-4552 Derendingen
Fon +41 32 681 55 00
info@montech.com
www.montech.com